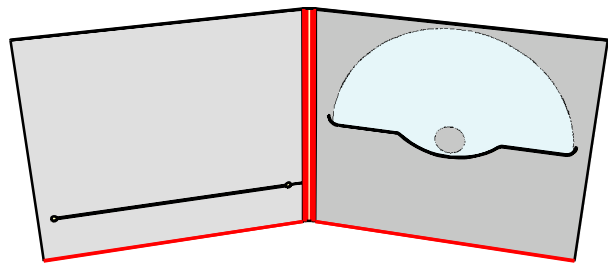
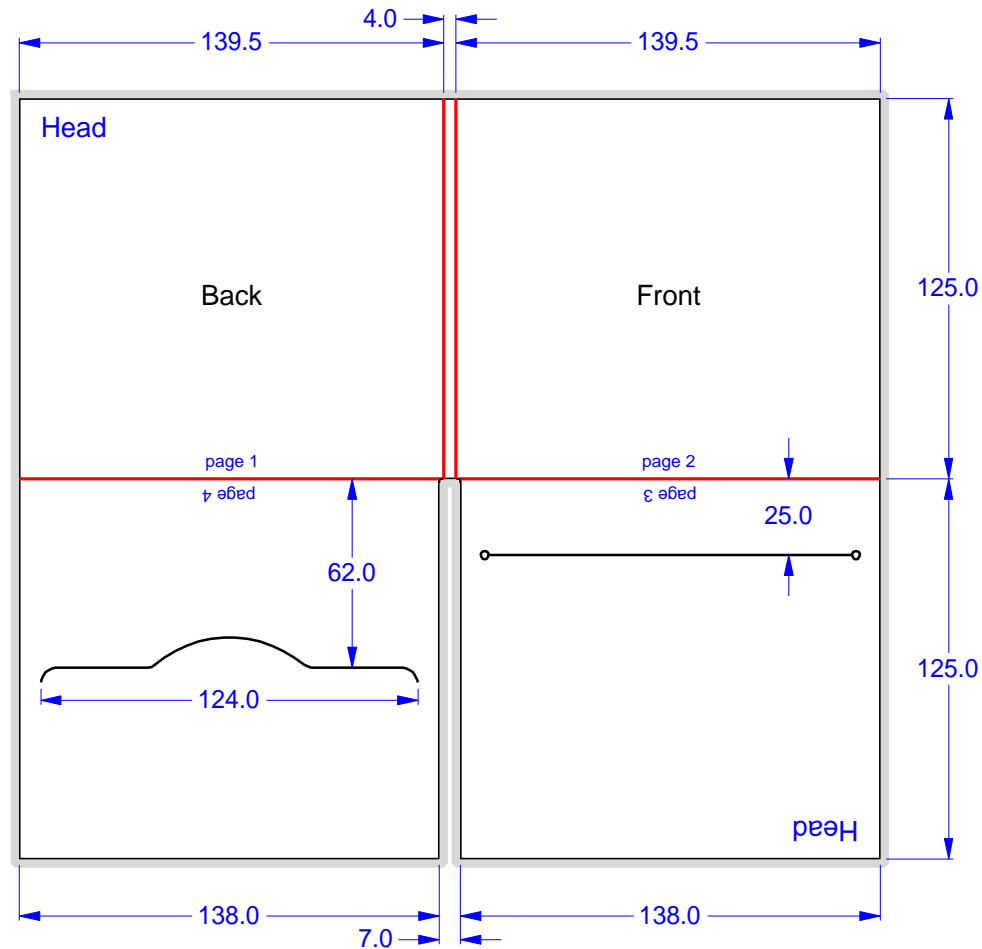


Product Specification

<p>Product : ProfilePac 4 pages 1 profile-slot with die-cut slot</p> <p>Prod. no.: SP 0773</p>	<p>Material: 300gsm coated FBB Finish: UV gloss varnish Open format: 283.0 x 250.0mm without bleed</p> <p>Closed format: 139.5 x 4.0 x 125.0 mm Prod. no.: 0773 Number of trays: 1 Position: page 4 Colour of tray(s): profile-slot</p>	<p>Note: die-cut slot on page 3 for booklet of 1.0mm thickness.</p>	
---	--	--	---



Please consider the general printing specifications and the general product information.

■ = 3mm bleed area (all around)